

USER MANUAL

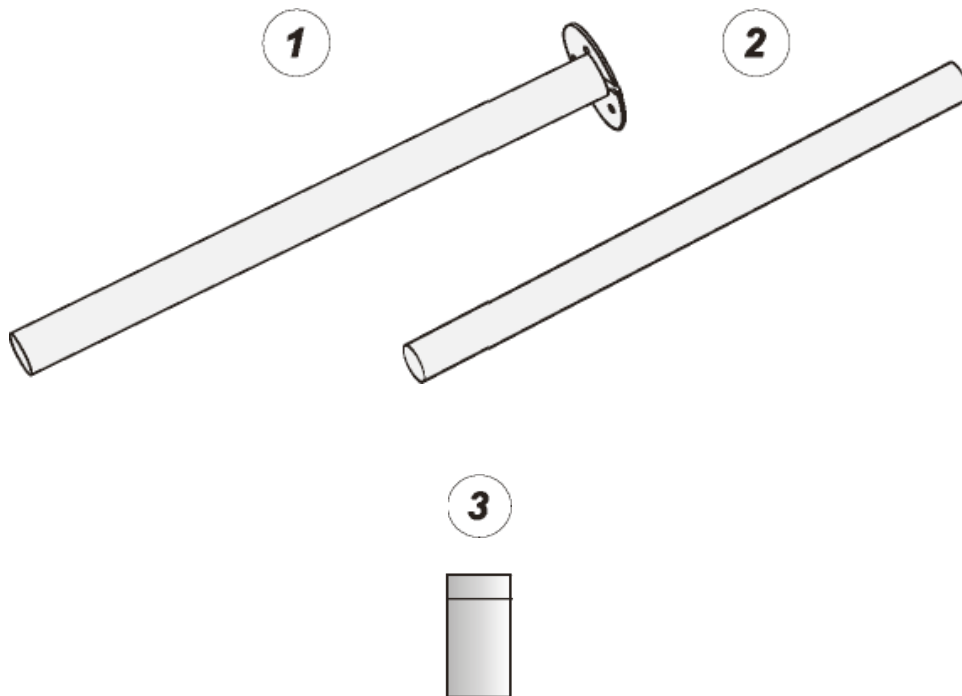
Ceiling Bracket CB902



Page #	USER MANUAL CONTENTS:
Ceiling Bracket CB902-2	Package Contents ~ Ceiling Bracket CB902
Ceiling Bracket CB902-3	Package Contents ~ Ceiling Bracket CB902
Ceiling Bracket CB902-4	Fasten Outer Tube to Ceiling
Ceiling Bracket CB902-5	Install Extension Tube (CB902 Extended)
Ceiling Bracket CB902-6	Install Inner Tube
Ceiling Bracket CB902-7	Install Brackets for 1 or 2 Indicators
Ceiling Bracket CB902-8	Mounting Set for 3x Indicators (Option)
Ceiling Bracket CB902-9	Install Triangle
Ceiling Bracket CB902-10	Install Brackets for 2-Digit Indicators
Ceiling Bracket CB902-11	Install Brackets for 3-Digit Indicators
Ceiling Bracket CB902-12	Turn-O-Matic Contact Information

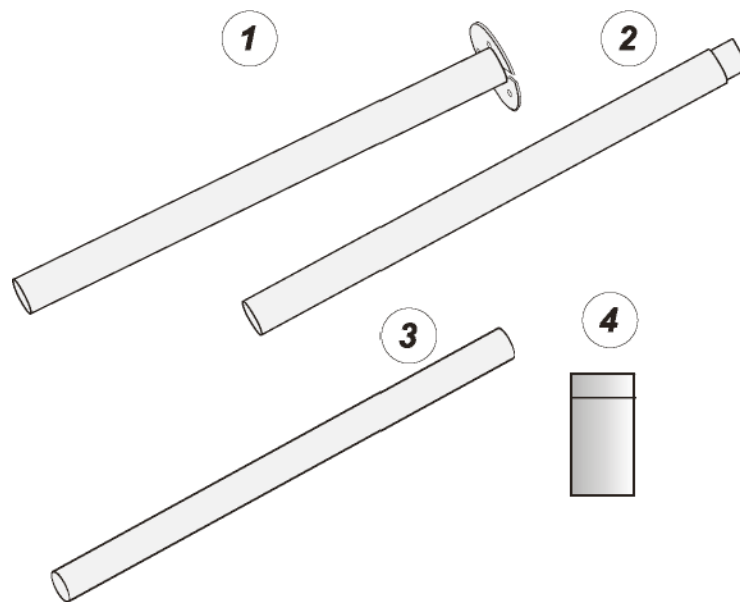
PACKAGE CONTENTS ~ Ceiling Bracket CB902

- 1. Outer Tube
- 2. Inner Tube
- 3. Mounting Tools & Hardware



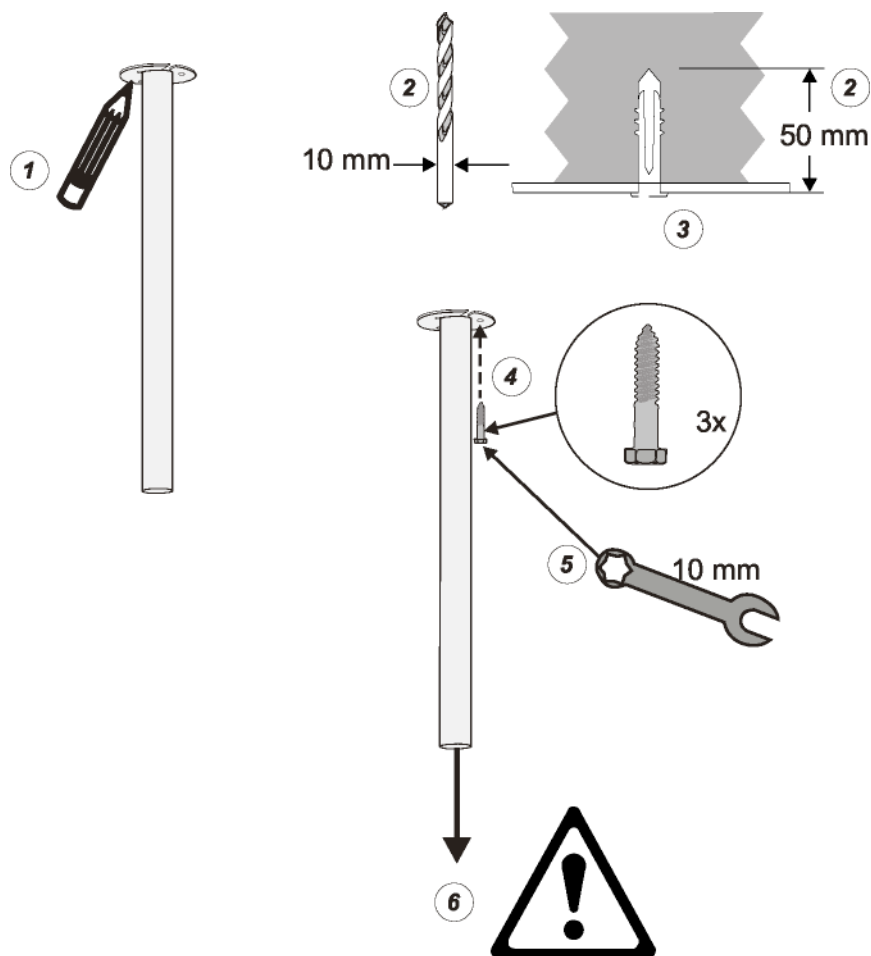
PACKAGE CONTENTS ~ Ceiling Bracket CB902 Extended

- 1. Outer Tube
- 2. Inner Tube
- 3. Extension Tube
- 4. Mounting Tools & Hardware



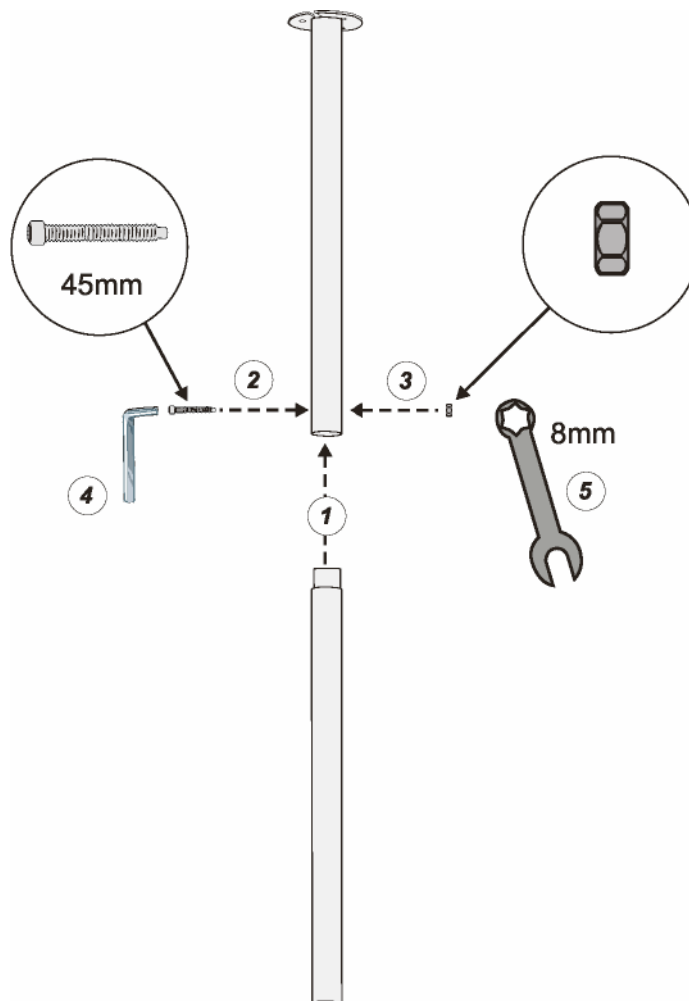
FASTEN OUTER TUBE TO CEILING

6. Mark the hole locations using the Outer Tube flange as a template.
7. Drill the three holes 50mm (2 inches) deep with a suitable 10mm drill.
8. Push in the three expander plugs.
9. Screw in the three 6 x 50mm screws.
10. Tighten the screws securely with the 10mm wrench (spanner).
11. Check to **be sure that the tube is securely and safely fastened** for the intended loading



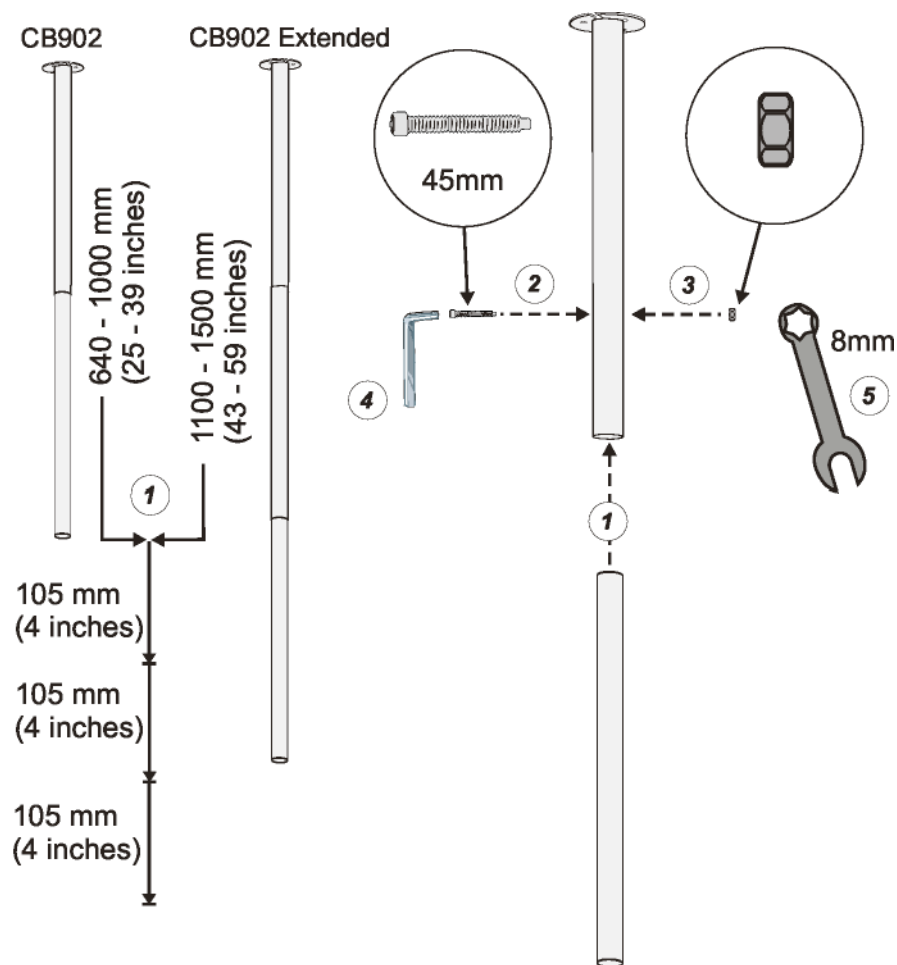
INSTALL EXTENSION TUBE (CB902 Extended)

1. Set the Extension Tube stub end in the end of the Outer Tube.
2. Line up the holes and push the screw through both tubes.
3. Screw on the retaining nut.
4. Hold the screw with the allen wrench (hex spanner).
5. Tighten the nut securely with the 8mm wrench (spanner).



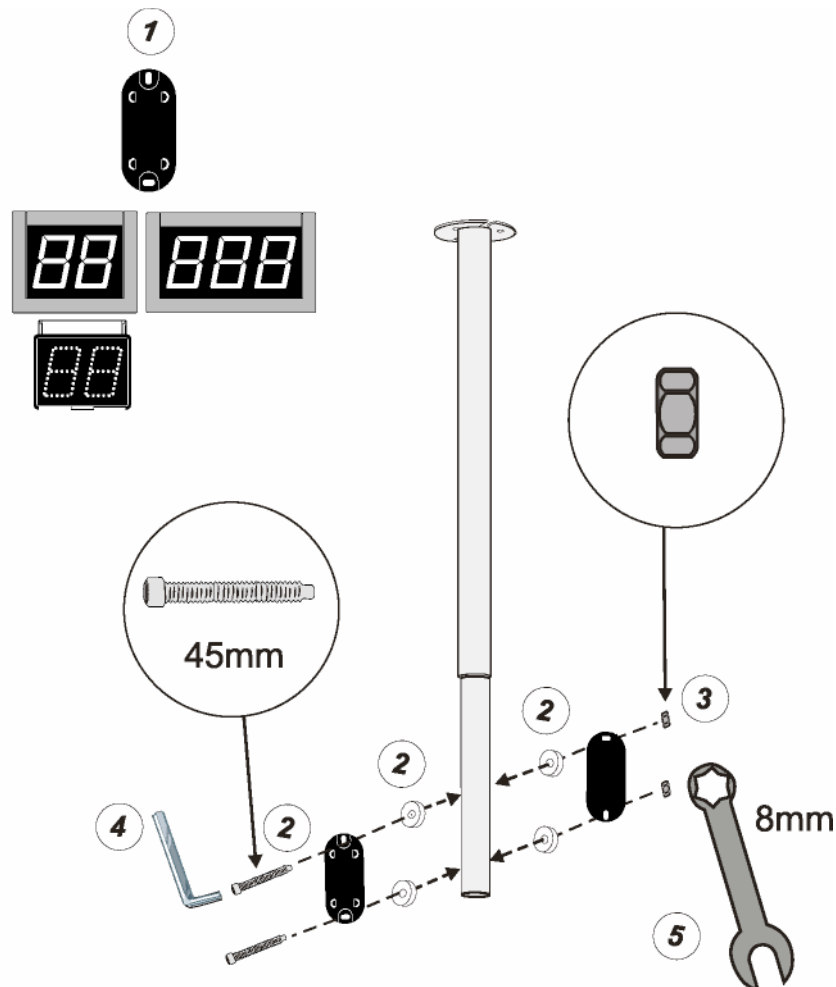
INSTALL INNER TUBE

1. Push the Inner Tube into the Outer or Extension Tube to the desired length (105mm / 4 inch increments).
2. Line up the holes and push the screw through both tubes.
3. Screw on the retaining nut.
4. Hold the screw with the allen wrench (hex spanner).
5. Tighten the nut securely with the 8mm wrench (spanner).



INSTALL BRACKETS FOR 1 OR 2 INDICATORS

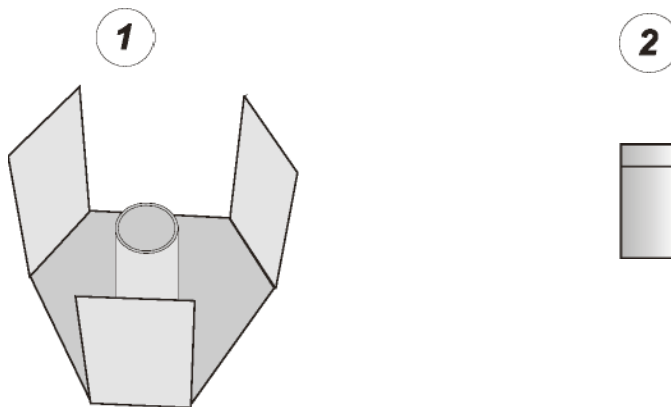
1. Indicator bracket is supplied with the indicator.
2. Mount the indicator bracket (or 2 brackets) with two white plastic saddle washers behind the bracket and two screws.
3. Screw on the retaining nuts.
4. Hold the screws with the allen wrench (hex spanner).
5. Tighten the nuts securely with the 8mm wrench (spanner).



MOUNTING SET FOR 3x INDICATORS (Option)

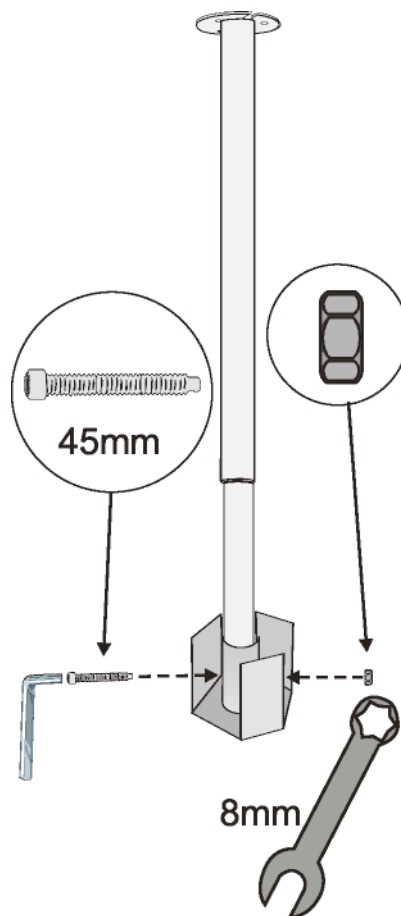
Package Contents:

1. Triangle
2. Indicator Mounting hardware



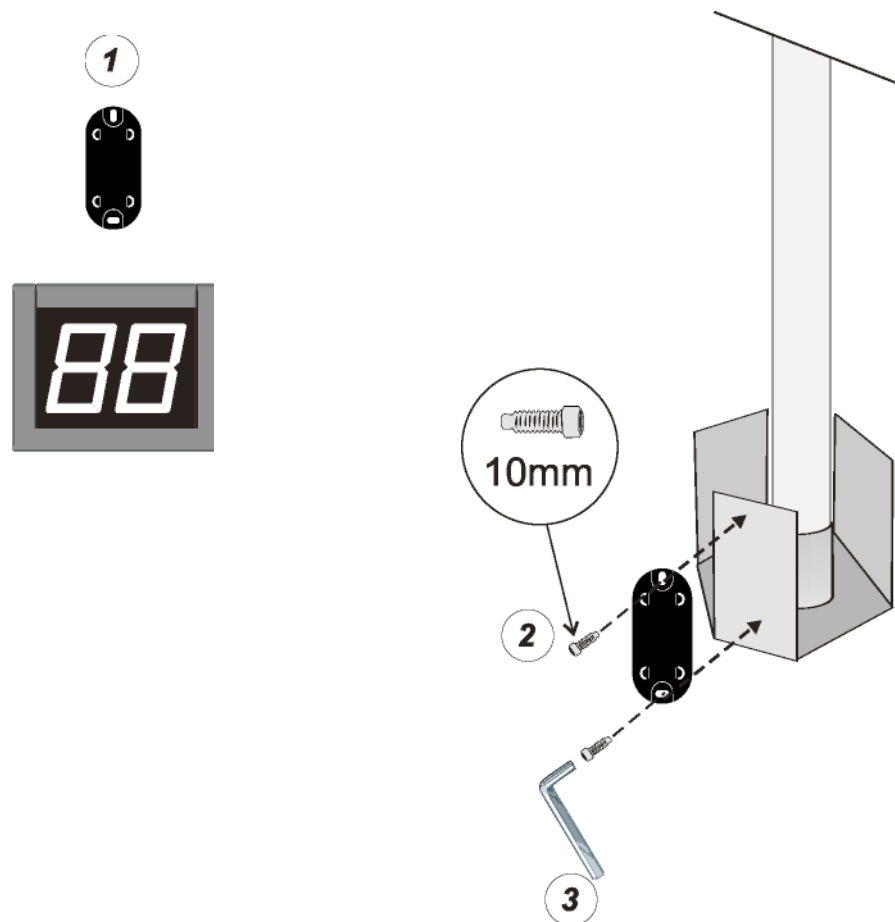
INSTALL TRIANGLE (Hardware Included In Ceiling Bracket Pack)

1. Mount the triangle with a 45mm screw through the triangle tube and Inner Tube.
2. Screw on a retaining nut.
3. Hold the screw with the allen wrench (hex spanner),
4. Tighten the nut with the 8mm wrench (spanner).



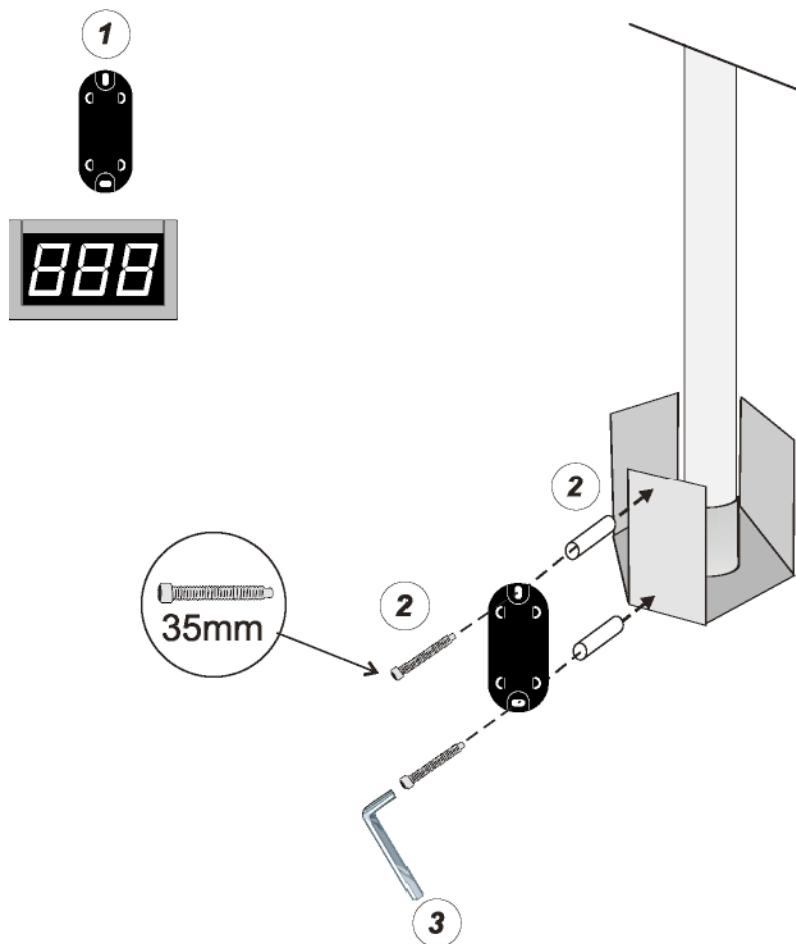
INSTALL BRACKETS FOR 2-DIGIT INDICATORS

1. Indicator bracket is supplied with the indicator.
2. Mount the indicator bracket with two 10mm (silver) screws.
3. Tighten the screws with the allen wrench (hex spanner).



INSTALL BRACKETS FOR 3-DIGIT INDICATORS

1. Indicator bracket is supplied with the indicator.
2. Mount the indicator bracket with two stand-offs and two 35mm screws.
3. Tighten the screws with the allen wrench (hex spanner).



TURN-O-MATIC CONTACT INFORMATION:

CUSTOMER SERVICE:

- ♦ **Customer Service**
SATO LABELING SOLUTIONS AMERICA, INC.
1140 Windham Parkway
Romeoville, IL 60446

Customer Service Toll Free Phone #: (800) 645-3290, Ext. 8
Customer Service Direct Phone #: (630) 771-4200, Ext. 8
Customer Service Fax #: (630) 771-4250

TECHNICAL CENTER:

- ♦ **Technical Center**
SATO LABELING SOLUTIONS AMERICA, INC.
30 Chapin Road, Suite 1201
PO Box 777
Pine Brook, NJ 07058

Technical Center Toll Free Phone #: (800) 205-7611, Ext. 3654
Technical Center Direct Phone #: (973) 287-3654
Technical Center Fax #: (973) 227-3961