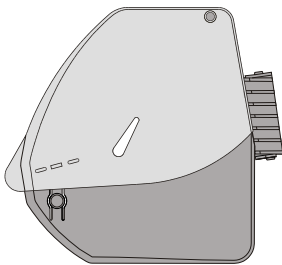


# USER MANUAL MODE D'EMPLOI BEDIENUNGSANLEITUNG MANUAL DEL USUARIO BRUKSANVISNING



Upgrade D900

Copyright © 2004 Checkpoint Systems, Inc.

***Checkpoint***®

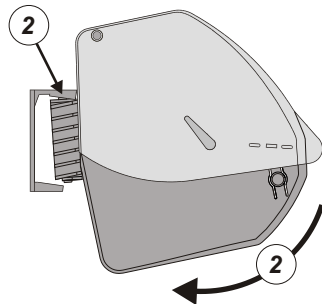
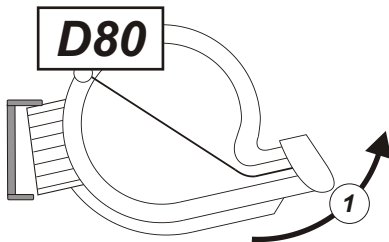
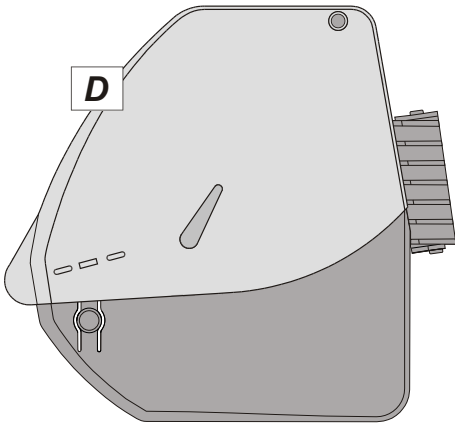


**Product description; Upgrade D900, for D80 Dispenser**

**Art. 3950 89D0 (D = Cover colour)**

**USA Part No. 3950893 = Art. 3950 8930**

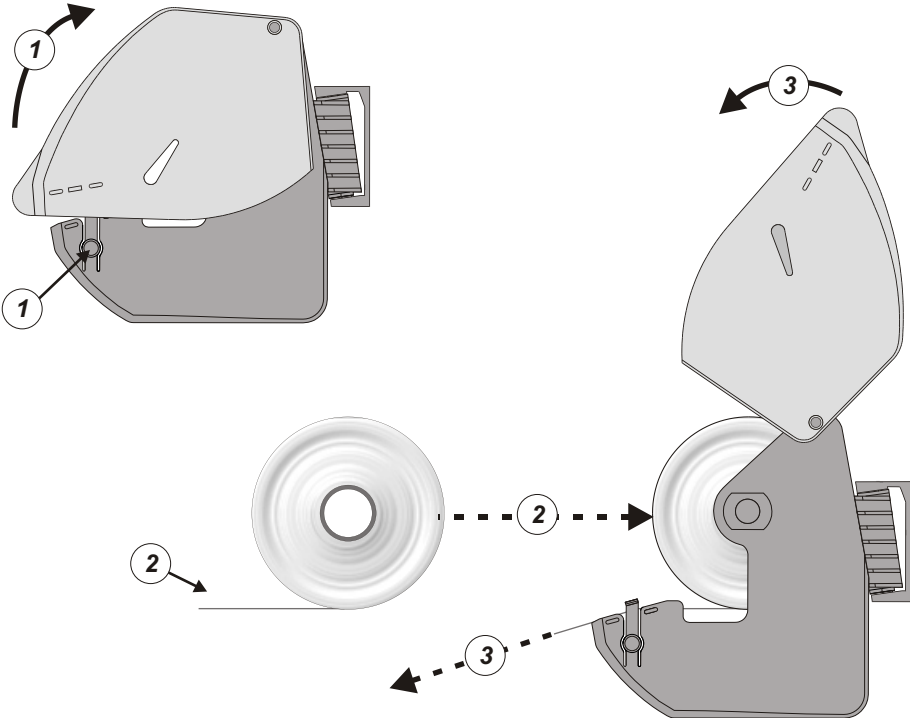
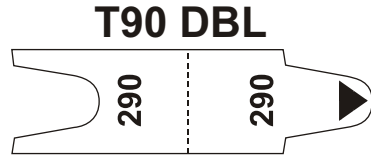
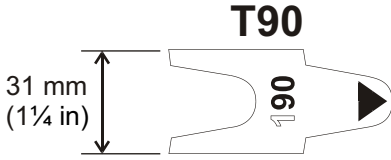
**Contents / Contient / Inhalt / Contenido / Innehåll**



Dispenser D900 (D), without mounting bracket; D = 3(*red*), 5(*blue*), 6(*yellow*) or 9(*grey*)

1. Lift the D80 slightly and remove from the bracket's bottom holder.
2. Set the D900 into the D80 bracket's top holder, lift slightly and set it into the bottom holder.

## Ticket types, loading ticket roll



1. Push in the cover latches, swing the cover fully open and remove the old ticket roll core.
2. Release the ticket strip end and push the roll into the holders with the ticket strip end at the bottom, pointing outward. Be sure the roll is set properly into the holders so that it turns freely.
3. Pull the ticket strip forward into place between the guides and swing the cover closed.







Your local Turn-O-Matic supplier :

Votre distributeur Turn-O-Matic local :

Der Turn-O-Matic Lieferant an Ihrem Standort :

Éste es su proveedor más cercano de productos Turn-O-Matic :

Din Turn-O-Matic leverantör :

**Regional contacts for Turn-O-Matic information:**

**USA and Canada**

Checkpoint Systems, Inc.  
101 Wolf Drive  
Thorofare, NJ 08086  
TEL: 800-257-5540 or 856-848-1800  
FAX: 856-848-0937

**Latin America**

Checkpoint Systems  
Americas International Office  
9200 So. Dadeland Blvd, Suite 500  
Miami, FL 33156, USA  
TEL: +1-305-670-1136  
FAX: +1-305-670-9493

**Asia Pacific**

Checkpoint Systems Asia Pacific  
4/F Block A, Shatin Industrial Centre  
5-7 Yuen Shun Circuit  
Siu Lek Yuen, Shatin N.T. Hong Kong  
TEL: +852-2527-2327  
FAX: +852-2793-3980

**Europe, Middle East and Africa**


Checkpoint Systems Sverige AB  
Turn-O-Matic International  
Kanalvägen 18  
194 26 Upplands Väsby, Sweden  
TEL: +46-8-506-566-00  
FAX: +46-8-506-566-99

[www.checkpointsystems.com](http://www.checkpointsystems.com)

**COPYRIGHT**

Checkpoint Systems, Inc. 2004

All rights reserved. This publication may not be copied in whole or in part, or transferred to another medium, or translated into another language without the express written permission of Checkpoint Systems, Inc.

 **TURN-O-MATIC**® is a registered trademark of Checkpoint Systems, Inc.

*Checkpoint*®

